



Bracke P11.b Planter

The Bracke P11.b is a further development of the classic Bracke P11.a. The seedling carousel, the precision of the plant depth and the compaction are a few of the details that have been improved. Side tilt is now available as optional equipment. In all other respects, the P11.b has the same simple and reliable design as its predecessor. The Bracke P11.b provides regeneration of the highest quality with the greatest possible consideration. Scarification and planting are performed in one pass, using the same machine.

Function

The Bracke P11.b is flexible. The head can produce normal mounding, i.e. a mound of inverted humus where the plant is set in the middle of the mound, which is the most common method for most soil types. It is also possible to vary the scarification by working the ground with the scraper blade, to produce a mound of inverted soil or to plant without scarification. Everything is easily controlled from the cab. Whatever the scarification method, the operator can make allowances for naturally regenerated plants and ecological conditions.

Machine Control

The control system is based on a PLC platform in which all units communicate via CAN bus. The head is fitted with sensors that send information to the control system, which is then shown on the display in the cab. Adjustment and reading of planting depth, compaction and other variables are performed via the display. The control system keeps track of the number of seedlings planted, for each individual site and in total, and the number of hours worked. Planting and mounding functions are performed with only two control buttons.

Targeted Planting

The Bracke P11.b performs efficient soil preparation and planting in all soil types, from easily worked and fertile ground to stony soils, covered with slash. The operator can not only choose the optimal location of each individual seedling but also can build a mound that is perfectly adapted to the conditions.

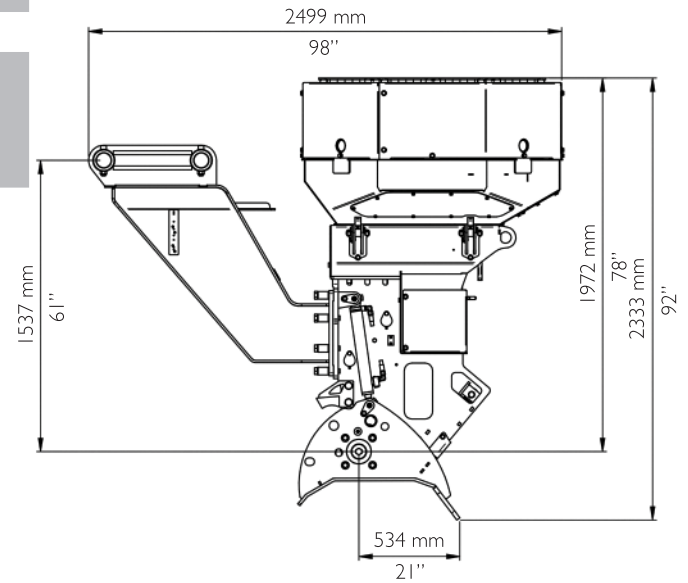
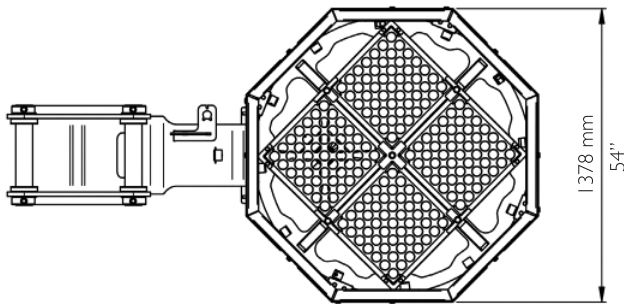


Technical Data

Prime mover	14 – 20 ton excavator	
Weight (varies with options)	1350 – 1450 kg	2976 – 3197 lb
Hydraulic pressure	170 bar	2466 psi
Hydraulic flow	100 l/min	26.4 gpm
Seedling type	Container Plants	
Carousel & planting tube		
– Standard	196 x 60 mm seedlings	
– Optional	100 x 75 mm seedlings	
Moulder/Scraper Blade Width		
– Standard	450 mm	17.7"
Electrical system	24V	
Control system	PLC Based	
Productivity	Up to 300 seedlings / hr	
Accessories	Fertilization Irrigation Side tilt Rapid charging box	



PLC-based control system.



The P11.b provides regeneration of the highest quality and with the greatest possible consideration for biological aspects.



The P11.b both scarifies and plants.



For best production and survival, the P11.b plants at the same depth and in the center of the mound each time.

Distributor for North America



QUADCO.COM | 1-800-668-3340

Bracke Forest AB
www.brackeforest.com